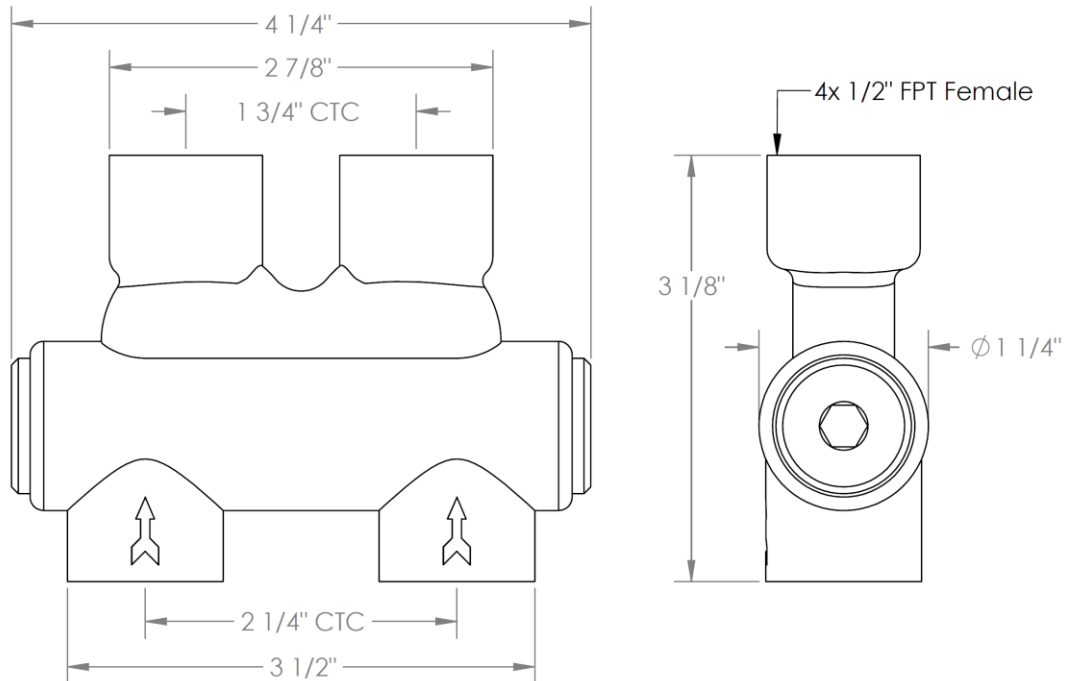


SS-PB50

½" Remote Pressure Balanced Valve (Anti-Scalding)

Note: Use check valves to prevent potential cross connection

Note: Supply temperature not to exceed 120°F



Meets the applicable requirements of ASME A112.18.1-2005/CSA B125.1-05, entitled "Plumbing Supply Fittings"

WATERMARK DESIGNS 9/5/2018

350 Dewitt Ave Brooklyn NY 11207 USA T 718 257 2800 F 718 257 2144 info@watermark-designs.com